

ClearOne®

BMA CT

Beamforming Mic Array - Ceiling Tile

Quick-Start Guide

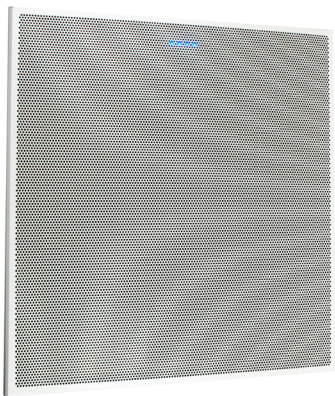


Table of Contents

IMPORTANT SAFETY INSTRUCTIONS	1
THE BMA CT	2
QUICK-START OVERVIEW	3
CONNECTING THE ARRAYS	4
I/O CONNECTIONS	4
P-LINK CONNECTIONS.....	6
UPDATING ARRAY FIRMWARE	8
TESTING THE ARRAYS	8
VOLUME & MUTE.....	8
MICROPHONE ARRAY LED INDICATORS	8
MICROPHONE ARRAY ORIENTATION	9
MOUNTING THE ARRAYS	10
PLENUM SHIELD WITH SEISMIC CABLES	10
PLENUM SHIELD INSTALLATION	11
SEISMIC CABLES	12
COMPLIANCE	13
PART NUMBERS	13
SUPPORTED CONVERGE PRO 2	13
ISOMETRIC DIAGRAMS	14
SUPPORTED CONVERGE PRO 2	15



IMPORTANT SAFETY INSTRUCTIONS

1. Read these instructions.
2. Keep these instructions.
3. Heed all warnings.
4. Follow all instructions.
5. Do not use this apparatus near water.
6. Clean only with dry cloth.
7. Do not block any ventilation openings. Install in accordance with the manufacturer's instructions.
8. Do not install near any heat sources such as radiators, heat registers, stoves, or other apparatus (including amplifiers) that produce heat.
9. Do not defeat the safety purpose of the polarized or grounding-type plug. A polarized plug has two blades with one wider than the other. A grounding type plug has two blades and a third grounding prong. The wide blade or the third prong are provided for your safety. If the provided plug does not fit into your outlet, consult an electrician for replacement of the obsolete outlet.
10. Only use attachments/accessories specified by the manufacturer.
11. Unplug the array during lightning storms or when unused for long periods of time.
12. Refer all servicing to qualified service personnel. Servicing is required when the apparatus has been damaged in any way, such as power-supply cord or plug is damaged, liquid has been spilled or objects have fallen into the apparatus, the apparatus has been exposed to rain or moisture, does not operate normally, or has been dropped.
13. Protect the PoE injector's power cord from being walked on or pinched; particularly at plugs, convenience receptacles, and the point where they exit from the apparatus.



BMA CT

THE BMA CT

The BMA CT is a 2nd-generation Beamforming Microphone Array solution for ceiling-tile installations, featuring 24 microphones, and beamforming and adaptive-steering technology (think of it as smart beam selection) designed specifically for the CONVERGE® Pro 2 (CP2) products: 128, 128D, 128T, 128TD, 128V, 128VD, 128VT, 128VTD, 120, 48T, 48VT, 48VTD, and 48V. The arrays connect with the CONVERGE Pro 2 through a Peripheral Link (P-Link) port with either Regular (200 ft.) or Long Distance (650 ft.) P-Link cables. Three arrays are supported per CP2 via either regular or long-distance P-Link, and up to 6 arrays can be daisy-chained in one regular P-Link chain with a stack of two CP2 mixers. Power to the arrays is supplied through a Power-Over-Ethernet (PoE) or P-Link connection from CP2. The array comes in both a 24-inch and 600mm size. There is also an adapter that converts the 600mm version to 625mm.

IMPORTANT: The BMA CT arrays can be used only with CP2 systems. It is not compatible with CONVERGE Pro or first-generation Beamforming Mic Array systems.

The most recent versions of firmware and software are available on the ClearOne website at clearone.com/rl-search?combine=software.

QUICK-START OVERVIEW

Installing and using the BMA CT arrays in your CP2 site is subject to the following parameters:

1. The arrays can only be used with CP2 systems.

QUICK-START GUIDE

2. You must have a 128, 128D, 128T, 128TD, 128V, 128VD, 128VT, 128VTD, 120, 48T, 48VT, 48VTD, and/or 48V. mixer in the site. The arrays will not work with standalone 012, 128SR, or 128SRD units.
3. Connect up to 3 arrays (current) per CP2 unit, and up to 6 arrays per Regular P-Link chain with 2 CP2 unit stack. More CP2 units may be added to increase the number of arrays per site.

QUICK-START PROCEDURES

These steps must be done in the following order to use the BMA CT in your CONVERGE Pro 2 site:

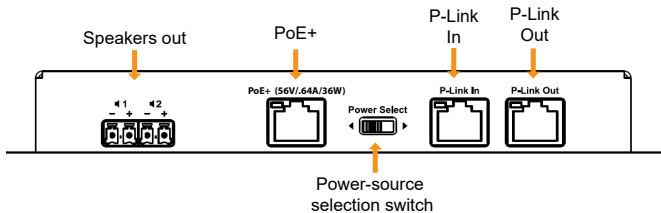
1. Update the CONVERGE Pro 2 firmware to the latest version using CONSOLE AI software.
2. Connect the array to the updated CONVERGE Pro 2 via the P-Link bus.
3. Update the array firmware using CONSOLE AI. (The array firmware cannot be upgraded without an updated CONVERGE Pro 2.)
4. Test the array.
5. Mount the array.

BMA CT

CONNECTING THE BMA CT UNITS

Connect the BMA CT units to the CP2 unit via P-Link connections using CAT6-23AWG solid conductor RJ45 cables.

I/O CONNECTIONS



- You must power the BMA CT with an external IEEE 802.3at PoE+ source that provides 56V and 640 mA (36W).
- For a PoE+ power supply kit, ClearOne recommends ClearOne part number 910-3200-202. When no speakers are connected to the BMA CT's, it can power up to three BMA CT devices.
- You can connect a PoE+ injector to a P-Link PoE port on a CONVERGE Pro 2 (CP2), or connect it to the BMA CT's PoE+ port.
- If you connect the PoE+ injector to the BMA CT's PoE+ port, you must also connect the CP2's P-Link Out port to the BMA CT's P-Link In port.

QUICK-START GUIDE

- To use the PoE+ port on the BMA CT, slide the power-source selection to PoE+. Otherwise, slide the switch to P-Link to receive power over P-Link from a PoE injector connected to a different device.
- More information is available in the **Power over Ethernet (PoE) and CONVERGE Pro 2 (CP2) P-Link Peripheral Products** Application Note:
https://www.clearone.com/sites/default/files/2019-09/AppNote_PoE_P-link_Peripheral_Products.pdf

SPEAKER USAGE

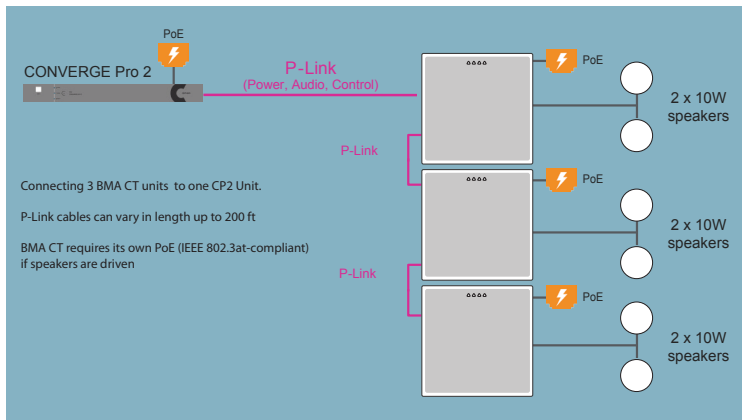
When a BMA CT drives speakers, it requires its own PoE injector. In this case, be sure to set the power-source-selection switch to the left (PoE+ port).

SUMMARY OF CONNECTIONS AND SPEAKER USAGE

Speakers?	Q of BMA CTs	PoE+ Injector Connection	Slider Switch Position on BMA CT
No	Up to 3 per PoE injector	CP2 P-Link PoE port	Right
		BMA CT PoE+ port	Left
Yes	1 per PoE injector	BMA CT PoE+ port	Left

BMA CT

P-LINK CONNECTIONS



QUICK-START GUIDE



Connecting 3 BMA CT units and 3 P-Link compatible devices to one CP2 unit.

P-Link
(Power, Audio, Control)

Up to 200 ft.

P-Link
Up to 200 ft.

P-Link
Up to 200 ft.

P-Link
Up to 200 ft.

P-Link
Up to 200 ft.



BMA CT

UPDATING ARRAY FIRMWARE

1. Connect the P-Link cable between the CP2 units and the arrays.
2. Connect the CP2 units with CONSOLE AI.
3. Open the Firmware Loader screen.
4. Browse for the BMA_CT_vx.x.x.x.mdo file.
5. Download the array firmware.
6. The array(s) will default and reboot after the download of firmware.
7. Units are fully upgraded. (All array units connected via the P-Link on the site are simultaneously updated.)

TESTING THE BMA CT UNITS

The BMA CT must be added to the site using the CONSOLE AI software. This software also provides the capability of configuring the beams (enable/disable) and other characteristics available in Configuration mode. Refer to the online help available with the CONSOLE AI software.

VOLUME & MUTE

These controls are available through the controller configured for your CONVERGE Pro 2 site.

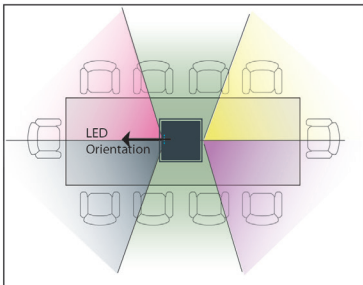
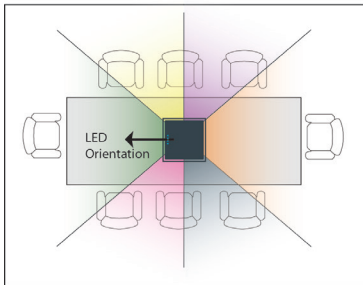
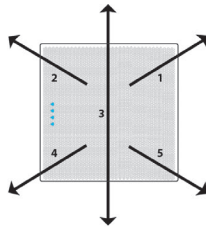
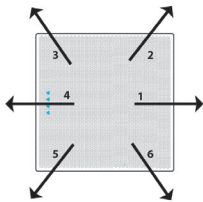
MICROPHONE ARRAY LED INDICATORS

The illuminated LED indicators on the face of the array change color when the microphone array is active/muted. You can choose colors to indicate either state, or even set the indicators to remain off by using CONSOLE AI to change Unit Properties for the array.

QUICK-START GUIDE

MICROPHONE ARRAY ORIENTATION

The LED indicators should be oriented in the room according to the beam selection needs for optimal coverage. The diagrams below show the orientation of the LED indicators toward the head of the conference table with the resulting room coverage and beam mapping shown below. Please be certain to remove the orientation label from the perforated room panel before use.

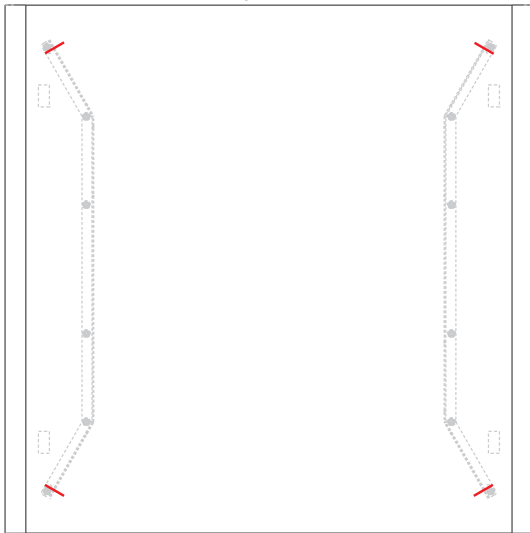


BMA CT

MOUNTING THE ARRAYS

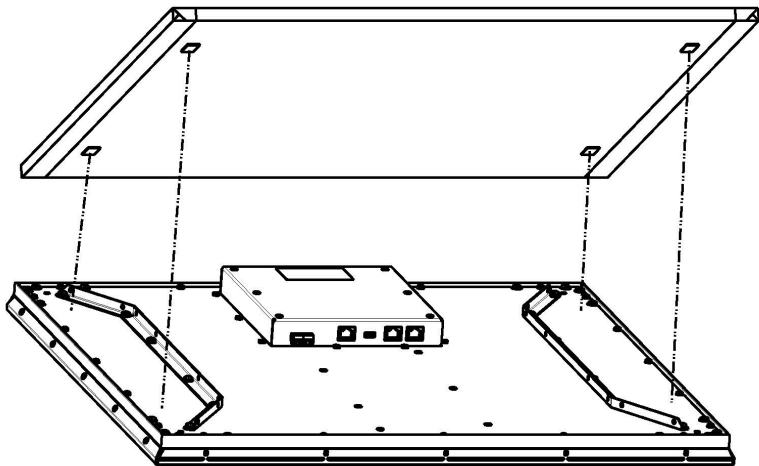
PLENUM SHIELD WITH SEISMIC CABLES

If installing both the plenum shield and seismic cables, four slots of approximately 1" length should be cut diagonally in the plenum shielding to match the points of seismic cable attachment. Otherwise, skip this step and go to page 11 for installation of plenum shield only or page 12 for installation of seismic cables only.



PLENUM SHIELD INSTALLATION

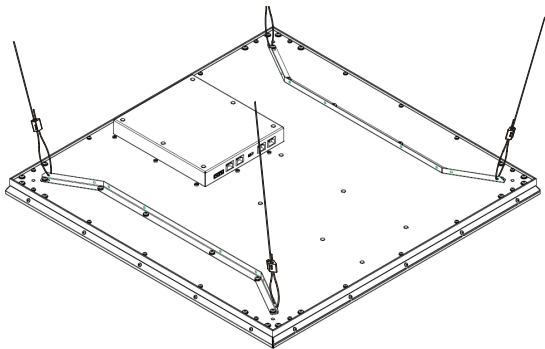
Remove the liner from adhesive in four places on underside of shielding, and thread cables through cut slots before attaching to ceiling.



BMA CT

SEISMIC CABLES INSTALLATION

The array can be ceiling-mounted in a suspended ceiling, held in place by the standard T-BAR grid, with additional 1/8" safety (seismic) cables (not included). Four attachment points are recommended for stability. If installing with the plenum shield, feed cables thru slots cut in earlier step (see Pg 10).



NON-TILE CEILING MOUNTS

For non-tile ceilings, ClearOne offers both a recessed-mount kit and a surface mount kit. Installation guides are available on the ClearOne website as follows:

- BMA Recessed-Mount Kit Installation Guide
- BMA Surface-Mount Kit Installation Guide

COMPLIANCE

Details on compliance are available on the ClearOne website under “Resource Library”.

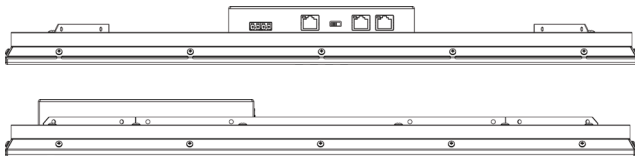
Part Numbers

Item	Part No.
White BMA CT 24in	910-3200-205
White BMA CT 600mm	910-3200-205-l
BMA Recessed Mount Kit 24in	910-3200-212
BMA Recessed Mount Kit 600mm	910-3200-212-l
BMA Surface Mount Kit 24in	910-3200-210
BMA Surface Mount Kit 600mm	910-3200-210-l
PoE+ Power Supply Kit	910-3200-202
50 Ft RJ45 CAT6 Cable	910-3200-204-50
100 Ft RJ45 CAT6 Cable	910-3200-204-100
150 Ft RJ45 CAT6 Cable	910-3200-204-150
200 Ft RJ45 CAT6 Cable	910-3200-204-200

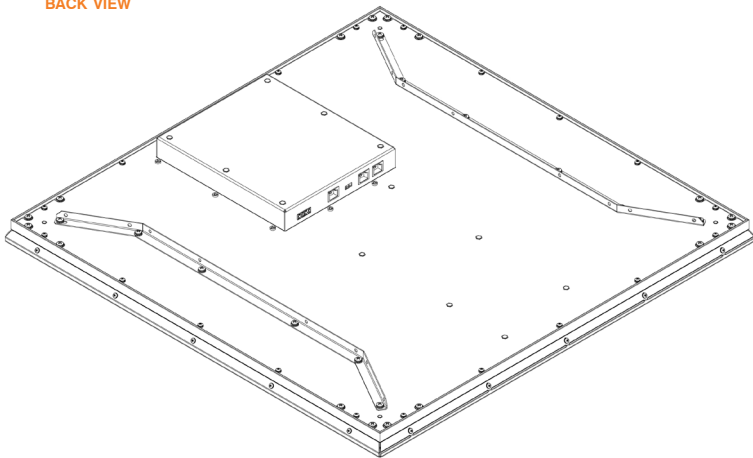
BMA CT

ISOMETRIC DIAGRAMS

SIDE VIEWS



BACK VIEW



Supported CONVERGE Pro 2

Item	Part No.
CONVERGE Pro 2 128	910-3200-001
CONVERGE Pro 2 128D	910-3200-001-D
CONVERGE Pro 2 128T	910-3200-002
CONVERGE Pro 2 128TD	910-3200-002-D
CONVERGE Pro 2 128V	910-3200-003
CONVERGE Pro 2 128VD	910-3200-003-D
CONVERGE Pro 2 128VT	910-3200-009
CONVERGE Pro 2 128VTD	910-3200-009-D
CONVERGE Pro 2 48T	910-3200-005
CONVERGE Pro 2 48V	910-3200-006
CONVERGE Pro 2 48VT	910-3200-008
CONVERGE Pro 2 48VTD	910-3200-008-D
CONVERGE Pro 2 120	910-3200-004

CLEARONE LOCATIONS

Headquarters:

5225 Wiley Post Way
Suite 500
Salt Lake City, UT 84116

Tel: 801.975.7200
www.clearone.com

US & Canada

Tel: 801.975.7200
Fax: 801.303.5711

International

Tel: +1.801.975.7200
e-mail: global@clearone.com

Sales

Tel: 801.975.7200
e-mail: sales@clearone.com

TechSupport

Tel: 801.974.3760
e-mail: tech.support@clearone.com